



Composium<sup>®</sup>  
Benches & Ottoman  
Perfect harmony.

# Composium

Perfect harmony.

This robust bench and ottoman collection complement all Composium® lounge seating models. Three bench sizes – plus ottoman – provide strategic accents or a functional and modular seating solution for industrial or formal settings. Just like you imagined.



*Composium one-, two- and three-seat benches, wood tapered square feet in medium cherry finish. TEXTILE: SitOnIt – Luxe, Chateau.  
Composium Ottomans, wood tapered square feet in medium cherry finish. TEXTILE: SitOnIt – Luxe, Azure.*

# Higher Education

The Composium Ottoman is perfect for socializing or impromptu study sessions in residence halls and public areas.



*Composium Ottomans, metal 1.5" pole feet in brushed steel. TEXTILE: SitOnIt - Pop, Fire.*

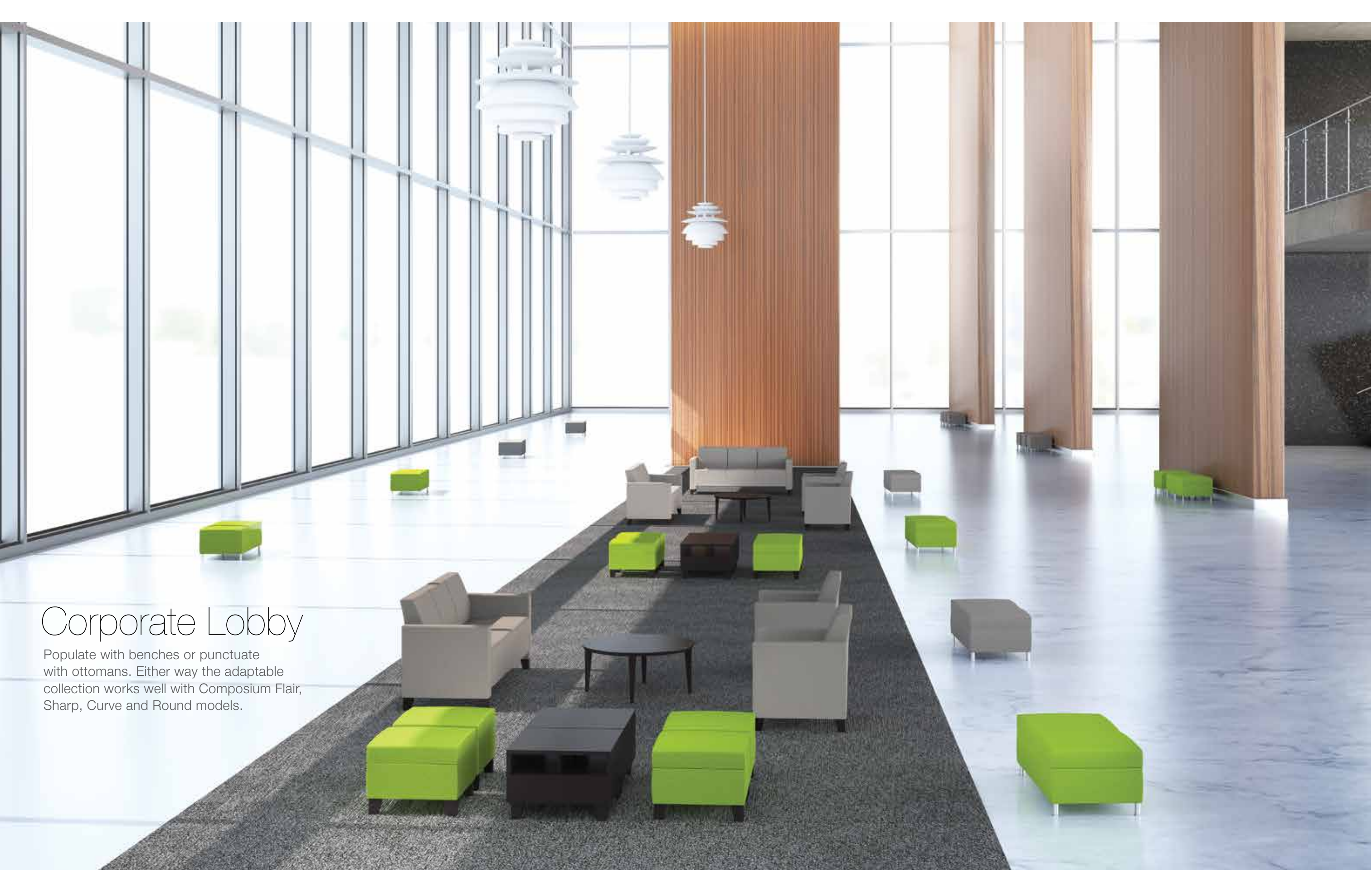


## Design Customization

Our revolutionary approach to design allows you to tailor each and every IDEON Compositum piece to your exacting needs. Whatever you visualize can be achieved. Start with a bench or ottoman and customize with one of 12 foot styles as well as a plethora of finish and textile options.

Designing your custom IDEON furnishings is as easy as point-and-click. Use our simple online design tool to visualize, choose options, view finishes and upholstery, get pricing, and create client presentations.

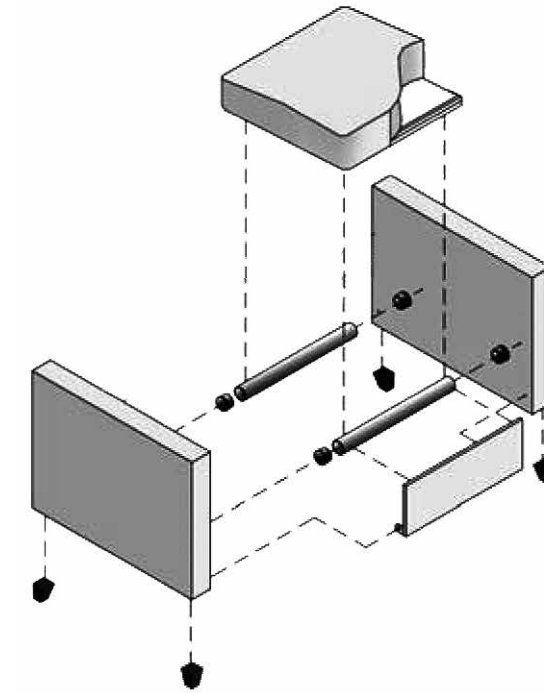
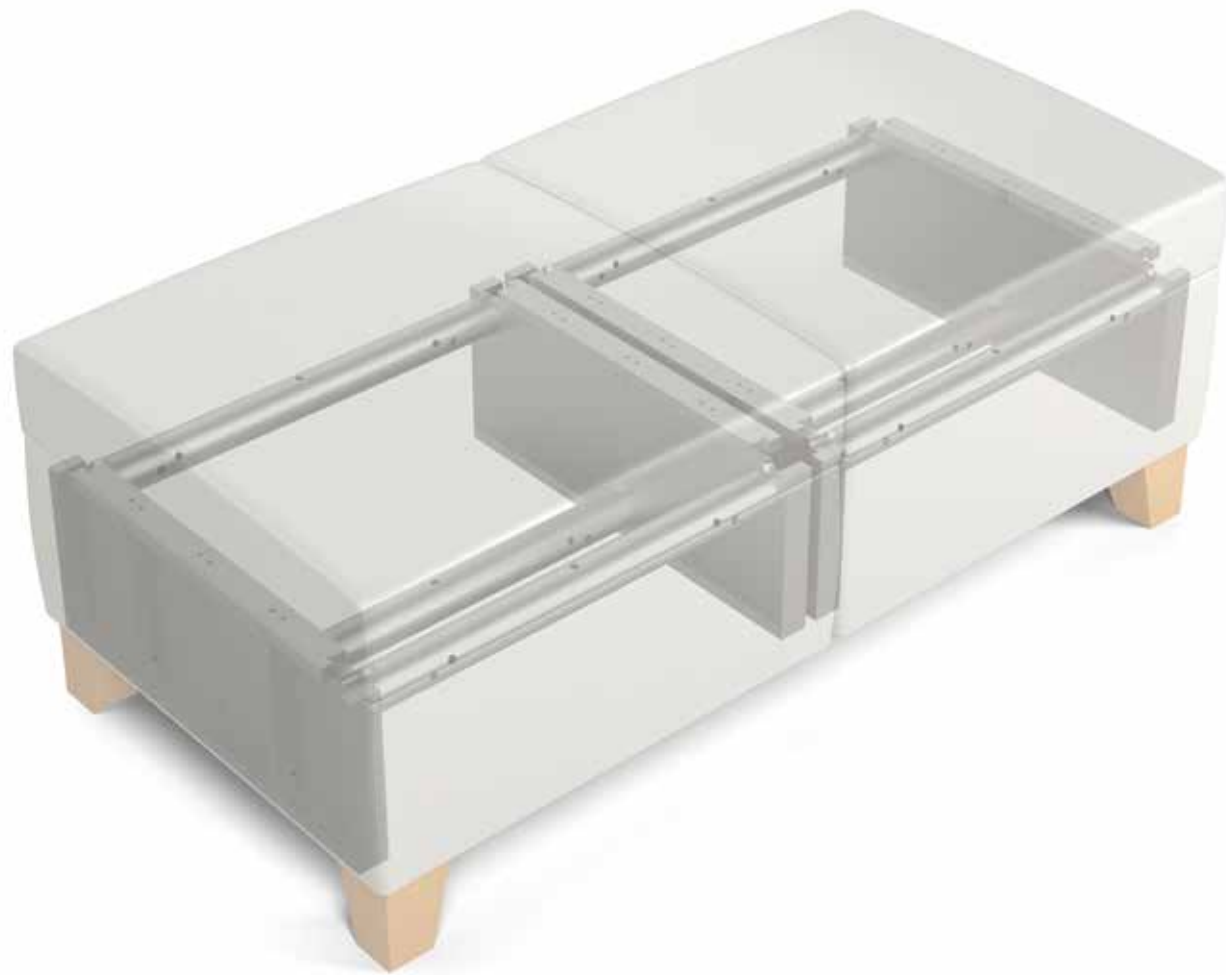




# Corporate Lobby

Populate with benches or punctuate with ottomans. Either way the adaptable collection works well with Compositum Flair, Sharp, Curve and Round models.

*Compositum one- and two-seat benches, metal 1.5" pole feet in brushed steel. TEXTILE: Maharam – Manner, Parakeet; Maharam – Manner, Flint.  
Compositum Ottomans, wood tapered square feet in espresso finish. TEXTILE: Maharam – Manner, Parakeet.  
Compositum Sharp sofa, settee and clubs, wood tapered square feet in espresso finish. TEXTILE: Maharam – Manner, Flint.  
Mezzanine Occasional round tables in espresso finish. Mezzanine Cube coffee tables in espresso finish.*



## Construction

The unique IDEON steel rail system creates a robust, durable understructure that withstands even the toughest environments. Each component is locked in place using multiple 5/16th grade 5 hex bolts through the rails. Extra strength monofilament webbing creates excellent resilience, while high density foam provides comfort and rebound in a low-profile cushion.



## Hallways

Place one, two or three-seat benches along entry ways and lobby areas for a comfortable sit between sessions or a quick stop for those on-the-go.

*Composium 1-, 2- and 3-seat benches, wood tapered square feet in clear maple finish. TEXTILES: Momentum – Infinity, Gull; Momentum – Infinity, Hush; Momentum – Infinity, Lemongrass.*

# Unmatched Pattern Matching

IDEON is the industry leader in pattern matching. Our PatternMatch™ expertise links patterns to chair components for a unified look across the back, front, seat and valance. Fabric for the right and left arms are cut to be mirror images. With this technology, every chair is a perfect match. And the match can be replicated. Even years later, PatternMatch ensures the replacement perfectly matches the original.

## PatternMatch Expertise

The replacement  
perfectly matches  
the original. Every time.





## Extended Life

IDEON chairs are designed to extend their useful life with field replaceable components. It's easy to order replacement parts, and on-site maintenance staff can quickly disassemble and replace components to keep seating looking and feeling brand new.



## Sustainability

The SitOnIt Seating and IDEON Take Back Program is designed to minimize product waste and make environmental responsibility easy for our customers. We partnered with the nonprofit environmental organization ANEW to offer a return program that matches surplus seating with needy recipients or recycles it to avoid landfill.

Composium is GREENGUARD and GREENGUARD Gold certified to help improve indoor air quality and reduce exposure to harmful chemical emissions.



# Features

Benches with up to three seats match any Composium style for strategic accents or as a functional and modular seating solution.

- Contemporary style for industrial or formal settings
- Durable steel rail construction withstands tough environments (except ottoman)
- PatternMatch™ expertise and multiple upholstery option
- Easy maintenance with field-replaceable parts
- 12 foot styles including casters, metal pole and wood
- 300 lbs. per seat weight capacity
- 10-Year Warranty
- 1000's of textiles ship in 10 days

## OPTIONS

- Multi-Upholstery
- CAL 133
- Moisture Barrier Seat

# Composium Bench Models



Ottoman



One-Seat



Two-Seat



Three-Seat

# Foot Styles



Non-Locking Caster, Black



Locking Caster, Black



Non-Locking Caster, Silver



Locking Caster, Silver



Metal 1.5" Pole, Brushed Steel



Metal 1.5" Pole, Silver Powder Coat



Metal 1.5" Pole Anchor, Brushed Steel



Metal 1.5" Pole Anchor, Silver Powder Coat



Standard Plastic, Black



Wood Tapered Cylinder



Wood Tapered Square



Metal Angular, Brushed Aluminum

# Mezzanine Tables

Get in top shape with Mezzanine cube and occasional tables designed to complement Composium seating.



Cube Table Collection



Occasional Table Collection

# Wood Finishes



Table & Foot Wood Finishes

# Composium Benches & Ottoman

Benches with up to three seats match any Composium style for strategic accents or as a functional and modular seating solution.



*Composium Ottomans, metal 1.5" pole feet in brushed aluminium. TEXTILE: SitOnIt – Sugar, Kiss  
Mezzanine Cube coffee tables in medium cherry finish. Mezzanine Cube corner tables in medium cherry finish.*



*Composium Ottoman, metal 1.5" pole feet in brushed aluminium. TEXTILE: SitOnIt – Sugar, Kiss*

 **Composium® Benches & Ottoman**  
Perfect harmony.

6415 Katella Avenue, Cypress, California 90630

For the name and number of your local representative call, email or visit the website.

(877) 994-3366 | [sales@ideondesign.com](mailto:sales@ideondesign.com) | [ideondesign.com](http://ideondesign.com)

*The images used within this website or document represent the logical use of the product(s) offered. The textiles, frame colors, accessories and options depicted are subject to change without notice. Refer to the current Price Guide or contact Customer Support for the most up-to-date product information and specifications.*

IDEON, Composium and PatternMatch are trademarks or registered trademarks of Exemplis Corporation. All other trademarks are property of their respective owners.

Form No. C177 Printed in the USA. © 2015 Exemplis

G807



*COVER: Composium 1-, 2- and 3-seat benches, wood tapered square feet in clear maple finish. TEXTILES: Momentum – Infinity, Gull; Momentum – Infinity, Hush; Momentum – Infinity, Lemongrass.*

