

ENWORK



Sensation
Tables Platform



12' Boat top with ultra wood edge on Sensation
TT-Legs with optional cable management

**Sensation. Elegant curves.
Contemporary forms.**



Individual split Y-Bases on ends with TT-Leg in middle



Split Y-Base with footer bar



C-Legs with casters



Y-Base with polished feet



Sensation foot with optional white caster

**Coordinate all
of your spaces.**



X-Base with Node power/data



Y-Legs



4-Post X-Base



96" W flip tables



Sensation Flip Tables. Up to 30x96" or 36x72".



Design continuity
between mechanism
and feet



No beam



With beam



Angled leg, nested



Angled foot flip tables for perfect in-line nesting. Optional acrylic hinged modesty panels.



Sensation foot credenza



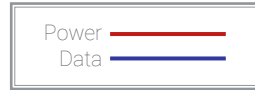
Sensation base credenza



Sensation mobile lectern and
Sensation mobile whiteboard

Technology. Within reach.

Enwork furniture is developed to support today's evolving wired and wireless office environments. Power and cable routing, both horizontal and vertical, is designed into each product line to allow for a clean, uncluttered aesthetic.



Sensation Straight Legs

Cable grippers or cable managers (PDGR or PDJTR) can be specified to route power and cables horizontally beneath the table top.

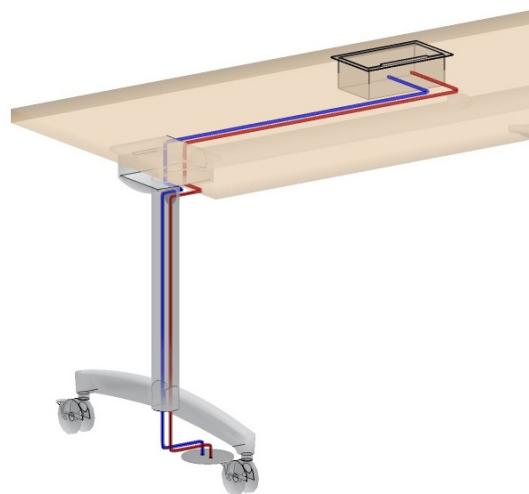
With optional routing holes, power and cables route vertically through a hole at the top of the Straight Leg and exit through a second hole near the bottom of the leg column.



Sensation C-Legs

Cable grippers or cable managers (PDGR or PDJTR) can be specified to route power and cables horizontally beneath the table top.

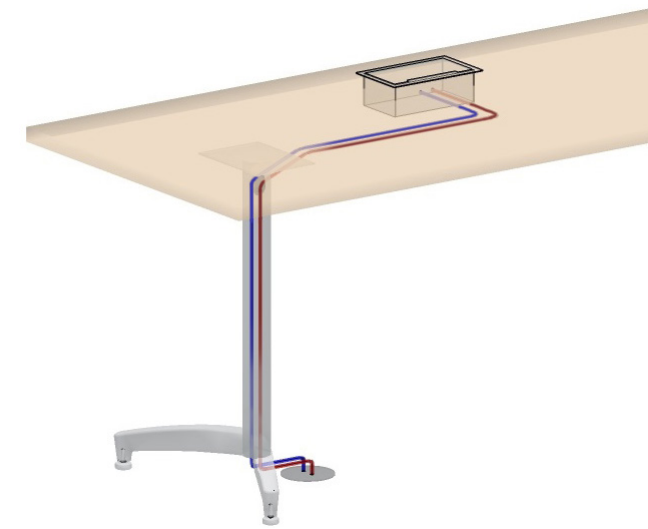
With optional routing holes, power and cables route vertically through a hole at the top of the C-Leg and exit through the bottom opening of the vertical column.



Sensation T-Leg Flip Base Assemblies

Cable grippers or cable managers (PDGR or PDJTR) can be specified to route power and cables horizontally beneath the table top.

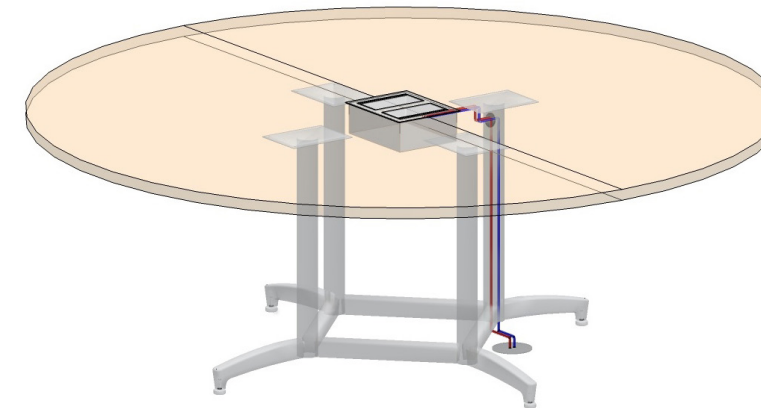
With optional routing holes, power and cables route vertically through a hole at the top of the T-Leg and exit through the bottom opening of the vertical column.



Sensation Y-Legs

Cable grippers or cable managers (PDGR or PDJTR) can be specified to route power and cables horizontally beneath the table top.

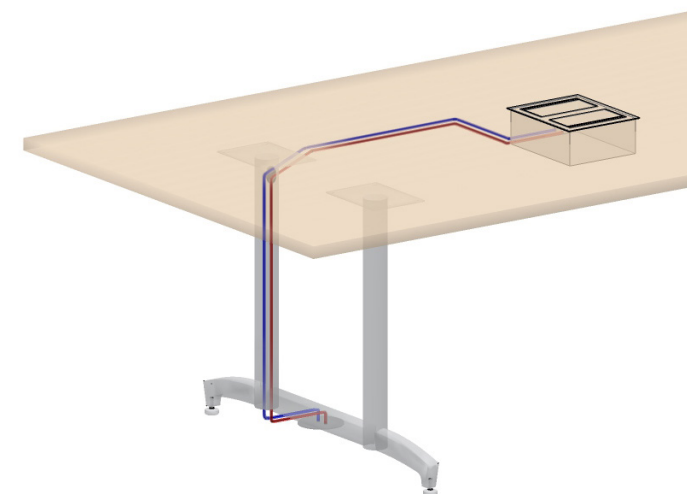
With optional routing holes, power and cables route vertically through a hole at the top of the Y-Leg and exit through the bottom opening of the vertical column.



Sensation 4-Post X-Bases

Cable grippers or cable managers (PDGR or PDJTR) can be specified to route power and cables horizontally beneath the table top.

With optional routing holes, power and cables route vertically through a hole at the top of an X-Base post and exit through the bottom opening of the vertical column.



Sensation TT-Legs

Cable grippers or cable managers (PDGR or PDJTR) can be specified to route power and cables horizontally beneath the table top.

With optional routing holes, power and cables route vertically through a hole at the top of TT-Leg and exit through the bottom opening of the vertical column.

Edge Profiles



3mm

Knife

PVC Ply

Contour Laminate Taper

Wood 3mm

Wood Taper

Wood Knife

Wood Bullnose

Wood Ultra

Designer Finishes

Bright White Back-Painted Glass
(standard or acid-etched matte) on painted
knife-edge MDF. Other colors available.

Luminesse LED Lighting
Available Laminate or Solid Surface

Quartz
Go to <http://cambriausa.com/en/designs/design-palette/> for color/pattern options.

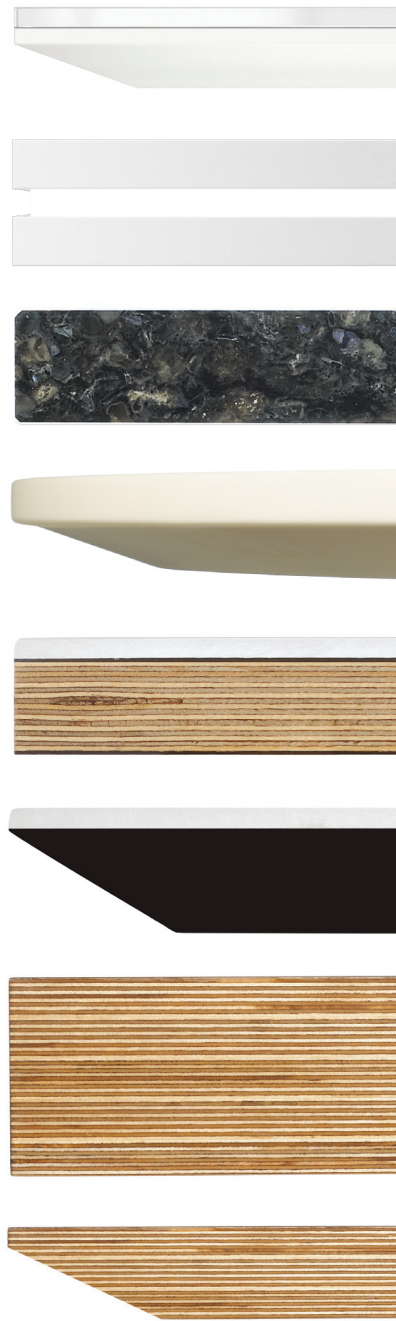
Solid Surface
(2-1/8" flat also available)

KrystalCast® Ply*

KrystalCast® Knife*
*Available in any Benjamin
Moore paint color

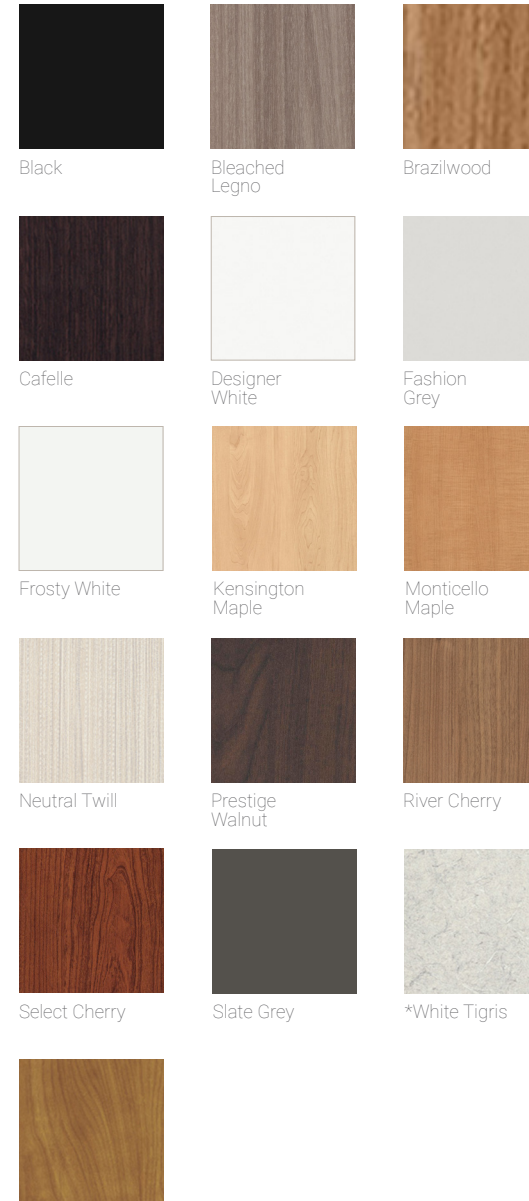
Statement Ply
(2-1/8" on tables, 1" on Credenzas)

Statement Ply Knife



Finishes

Laminates



Black

Bleached Legno

Brazilwood

Cafelle

Designer White

Fashion Grey

Frosty White

Kensington Maple

Monticello Maple

Neutral Twill

Prestige Walnut

River Cherry

Select Cherry

Slate Grey

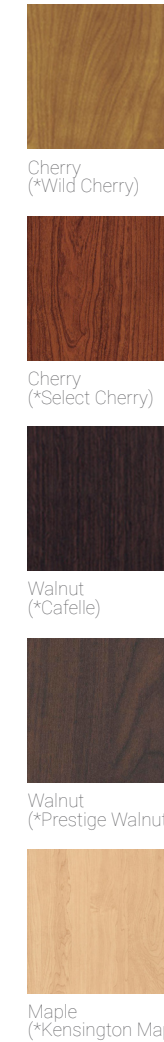
*White Tigris

Wild Cherry

*There is an upcharge for White Tigris on credenzas, lecterns, command centers, and some bases as noted in the Price List.

Not all finishes available on all products. Refer to the appropriate Price List for details.

Woods & Wood Edges



Cherry (*Wild Cherry)

Cherry (*Select Cherry)

Walnut (*Cafelle)

Walnut (*Prestige Walnut)

Maple (*Kensington Maple)

*Stained similar to laminate indicated.

Paints



Arctic white (Textured)

Black

Medium Tone

Silver

Storm

NOTE: Actual colors may vary from displayed images. Please reference a laminate color chip or contact Customer Service for an actual color sample to ensure a proper color match. Not all finishes available on all products.

ENWORK

12900 Christopher Drive • Lowell, Michigan 49331
800.815.7251 • www.enwork.com

quotes@enwork.com
orders@enwork.com