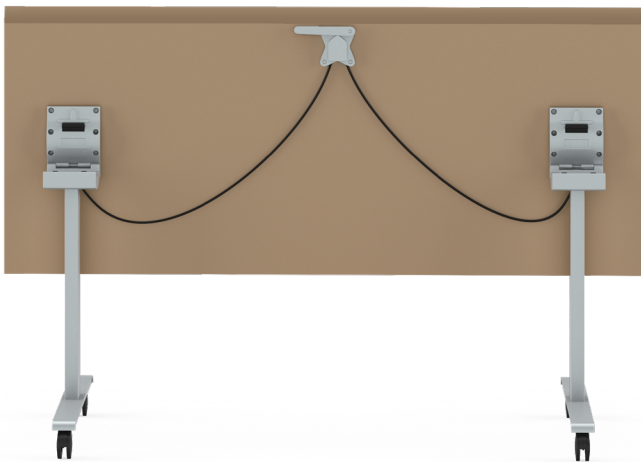


ENWORK



Impression
Tables Platform



10' Boat top with ultra wood edge. Impression TT-Legs with cable management and optional veneer infill.



Impression
C-Leg tapered
foot



T-Legs



Straight legs

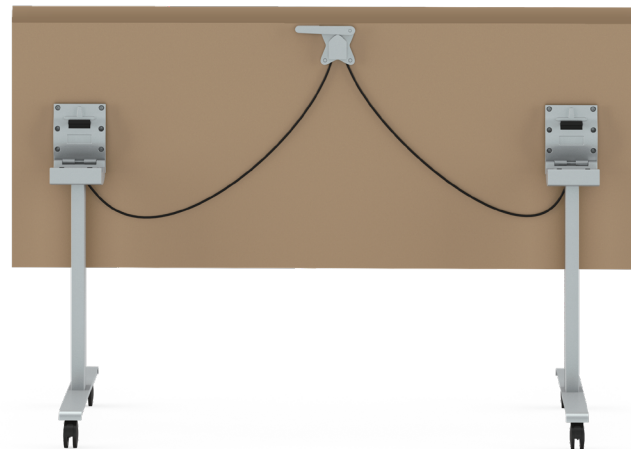


Conference O-Legs

Impression. Sleek and Sophisticated.



T-Leg flip base assembly



Nesting top shapes
with X-Base



4-Post X-Base with
and without infill



Powerlex modesty back detail



C-Legs with
Powerlex modesty

Integrated access to power and data.



X-Base with
power/data in top

Great for training and multi-purpose rooms.



Impression Classroom tables with optional double monitor lifts



Keyboard and mouse storage (with monitor lift)



Folding leg mechanism



Set-screw adjustable leg



Crank sit/stand height-adjustable base

Adjustable options for your every need.



XT-Series ANSI/BIFMA range electric height-adjustable base



Articulating Lecterns

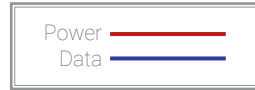


Height-adjustable Command Centers



Technology. Within reach.

Enwork furniture is developed to support today's evolving wired and wireless office environments. Power and cable routing, both horizontal and vertical, is designed into each product line to allow for a clean, uncluttered aesthetic.

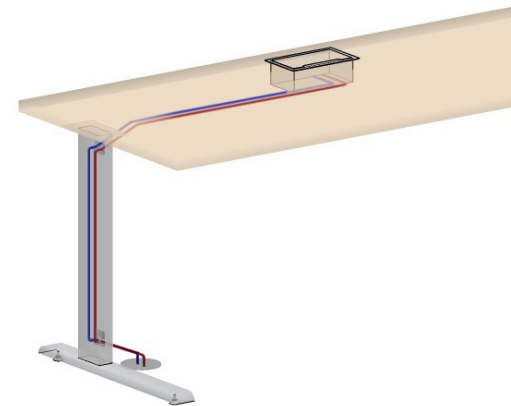


Impression Straight Legs

Cable grippers or cable managers (PDGR or PDJTR) can be specified to route power and cables horizontally beneath the table top.

With optional routing holes, power and cables route vertically through the straight leg via a hole at the top and bottom.

Alternatively, removable leg covers can be added, creating a 3/8" channel to conceal and route power and cabling to the floor.

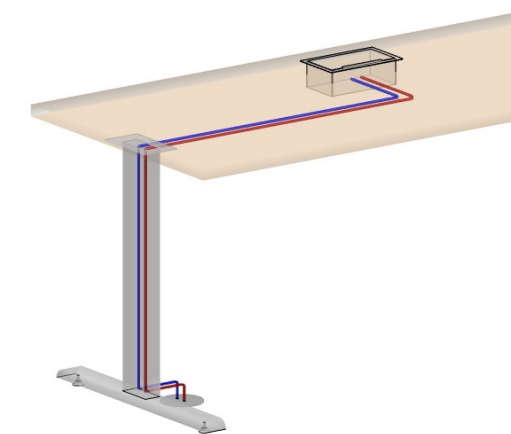


Impression C-Legs

Cable grippers or cable managers (PDGR or PDJTR) can be specified to route power and cables horizontally beneath the table top.

With optional routing holes, power and cables route through the C-Leg via holes at the top and bottom.

Alternatively, removable leg covers can be added, creating a 3/8" channel to conceal and route power and cabling to the floor.

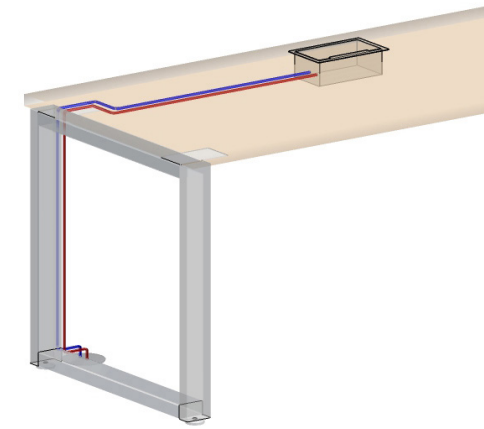


Impression T-Legs

Cable grippers or cable managers (PDGR or PDJTR) can be specified to route power and cables horizontally beneath the table top.

With optional routing holes, power and cables route through the T-Leg via holes at the top and bottom.

Alternatively, removable leg covers can be added, creating a 3/8" channel to conceal and route power and cabling to the floor.

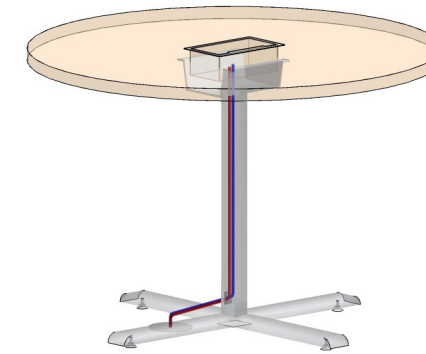


Impression O-Legs

Cable grippers or cable managers (PDGR or PDJTR) can be specified to route power and cables horizontally beneath the table top.

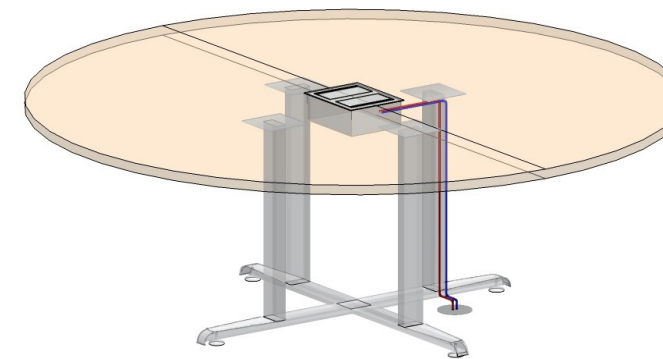
With optional routing holes, power and cables route vertically through the O-Leg via a hole at the top and bottom.

With optional removable leg covers, power and cables route vertically along the outside of the O-Leg within a 3/8" channel to the floor.



Impression X-Bases w/ Power Data top plate

Power and cables route vertically through the power data top plate and X-Base column, exiting via a hole at the bottom.



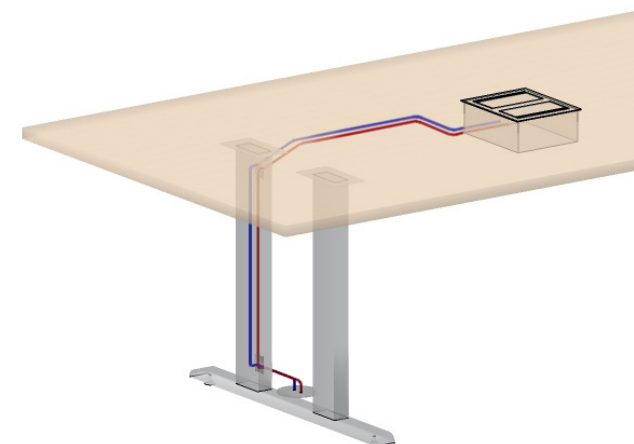
Impression 4-Post X-Bases

Cable grippers or cable managers (PDGR or PDJTR) can be specified to route power and cables horizontally beneath the table top.

With the optional infill, power and cables are fully concealed.

With optional routing holes, power and cables route vertically through an X-Base post via a hole at the top and bottom.

Alternatively, removable leg covers can be added, creating a 3/8" channel to conceal and route power and cabling to the floor.



Impression TT-Bases

Cable grippers or cable managers (PDGR or PDJTR) can be specified to route power and cables horizontally beneath the table top.

With optional routing holes, power and cables route vertically through the TT-Leg via a hole at the top and bottom.

Alternatively, removable leg covers can be added, creating a 3/8" channel to conceal and route power and cabling to the floor.

Edge Profiles



3mm

Knife

PVC Ply

Contour Laminate Taper

Wood 3mm

Wood Taper

Wood Knife

Wood Bullnose

Wood Ultra

Designer Finishes

Bright White Back-Painted Glass
(standard or acid-etched matte) on painted
knife-edge MDF. Other colors available.

Luminesse LED Lighting
Available Laminate or Solid Surface

Quartz
Go to <http://cambriausa.com/en/designs/design-palette/> for color/pattern options.

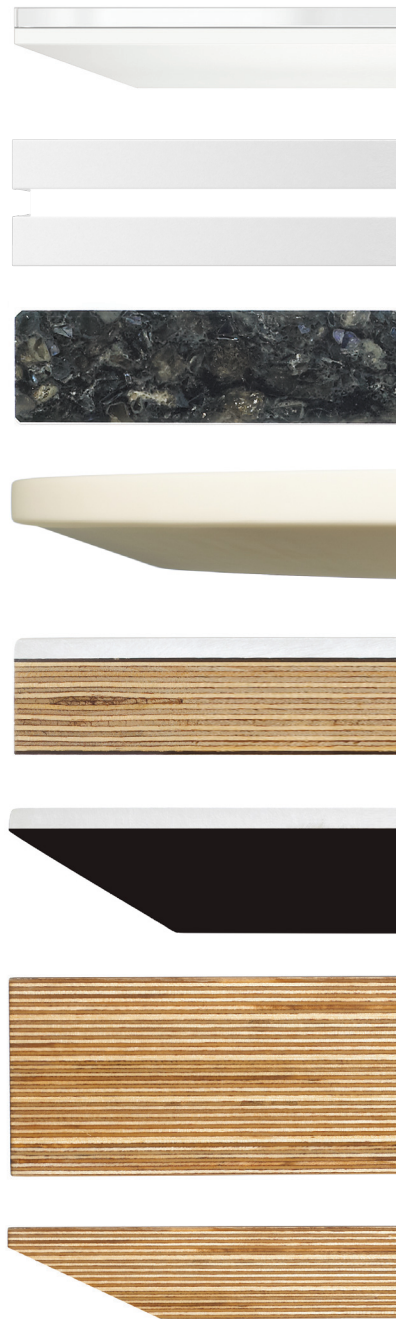
Solid Surface
(2-1/8" flat also available)

KrystalCast® Ply*

KrystalCast® Knife*
*Available in any Benjamin
Moore paint color

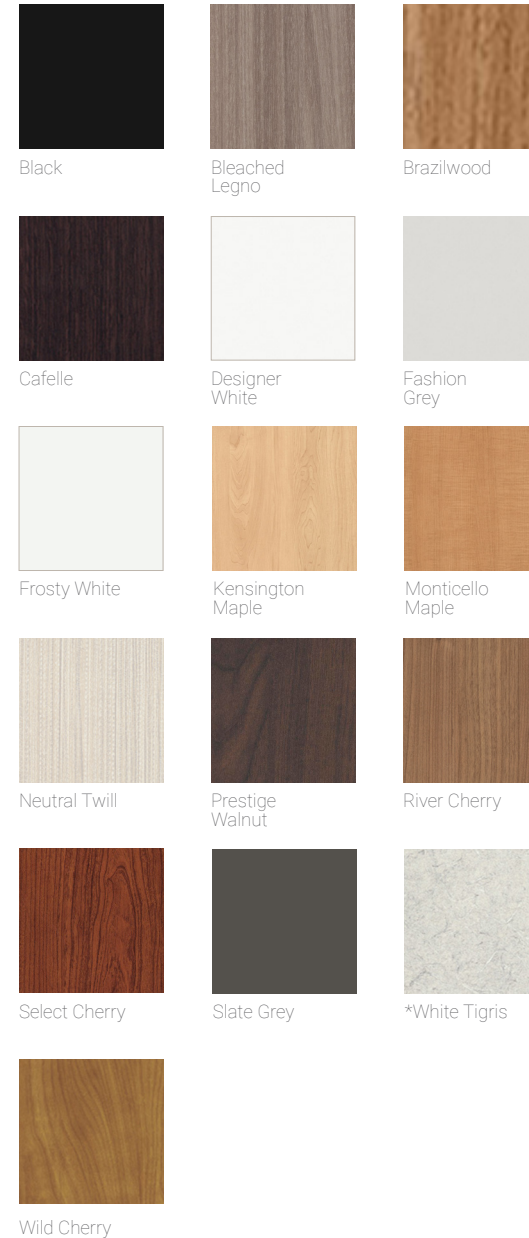
Statement Ply
(2-1/8" on tables, 1" on Credenzas)

Statement Ply Knife



Finishes

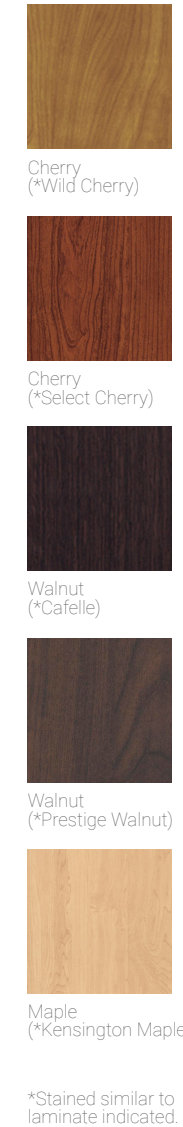
Laminates



*There is an upcharge for White Tigris on credenzas, lecterns, command centers, and some bases as noted in the Price List.

Not all finishes available on all products. Refer to the appropriate Price List for details.

Woods & Wood Edges



*Stained similar to laminate indicated.

Paints



NOTE: Actual colors may vary from displayed images. Please reference a laminate color chip or contact Customer Service for an actual color sample to ensure a proper color match. Not all finishes available on all products.

ENWORK

12900 Christopher Drive • Lowell, Michigan 49331
800.815.7251 • www.enwork.com

quotes@enwork.com
orders@enwork.com